

## Maximum capacity 250 kg, up to 4.1 meters in height

BD 400 is a portable electric lift, extremely versatile, ideal for laying and lifting loads in extreme safety.

Thanks to its unique construction, it is possible to work close to a wall or window, simply by flipping the two front supports.

| Model  | Maximum weight                            | Capacity |
|--------|---|----------|
| BD 400 | 250 kg fino a 3 mt<br>200 kg oltre i 3 mt | 88 kg    |

**CONSTITUTED BY ONLY TWO ELEMENTS:**

- ▶ Usable in any situation or construction site
- ▶ Compact in transport and quick in installation

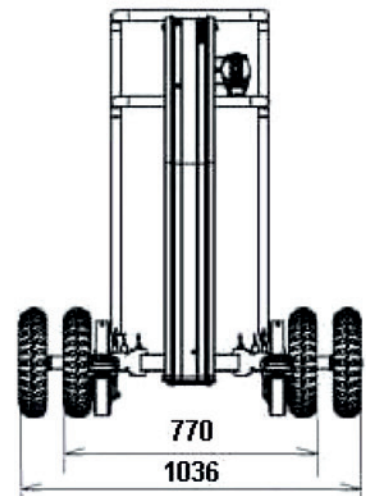
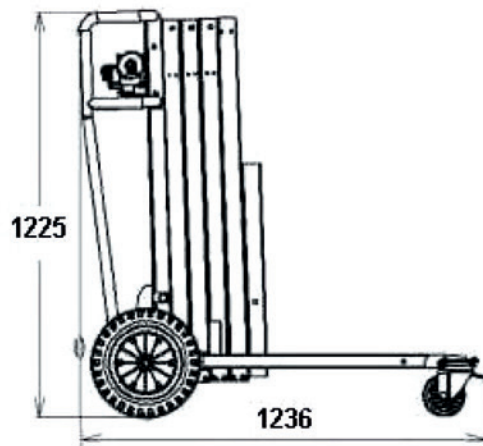
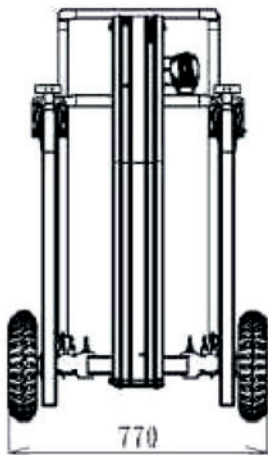
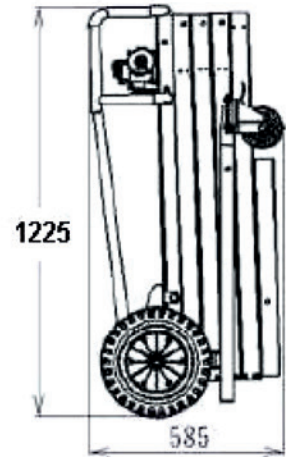
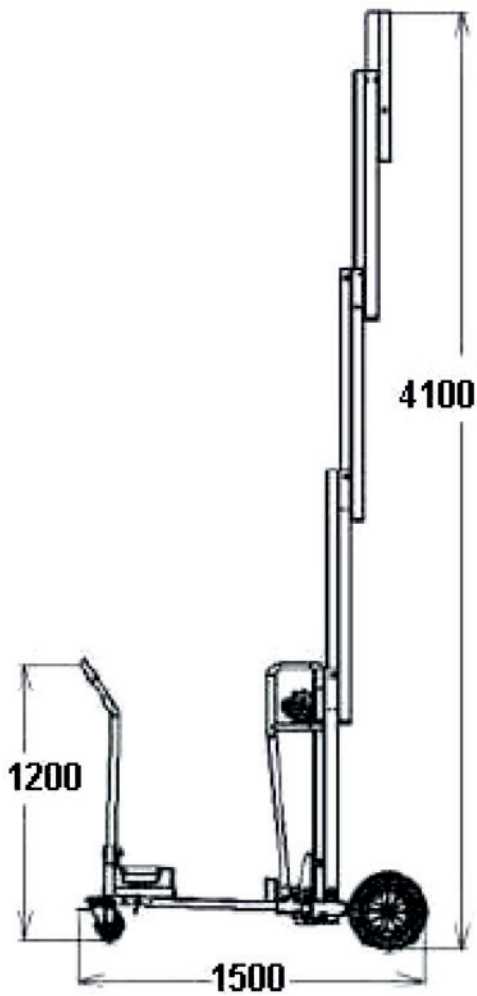


### STRUCTURE

- Anti-twist aluminum machine body
- Only two elements: elevator and loading accessories.
- Immediate use on site, without the use of any key.
- Can be used on uneven ground thanks to the regulation system.
- 230V electric motor with speed variator
- Can be used, in case of emergency, even without power supply, using the handle provided for manual handling.
- Integrated torque limiter
- Easily transportable on site thanks to the wheels.
- Equipped with hook or forks on request.



# Electrical lifter BD 400



# Electrical lifter BD 400



# Electrical lifter BD 400

