

Maximum capacity 250 kg, up to 2.46 meters in height

Manipulator for glass, manual and of reduced dimensions. Particularly suitable for indoor use, with a capacity of 250 kg. With its millimetric movements, possible with manual drives, it makes extremely easy the installation on site or the handling of large windows in the company.



IN EVIDENCE:

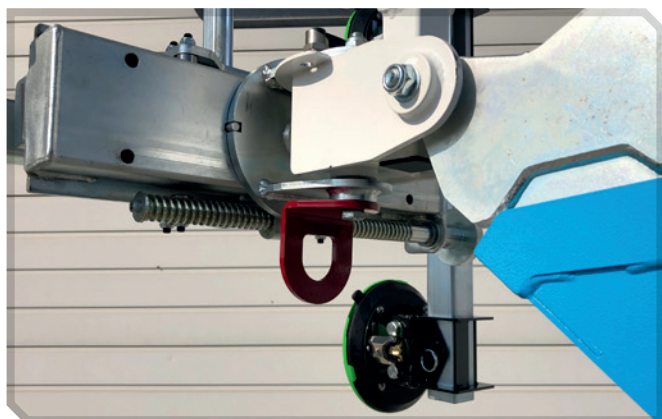
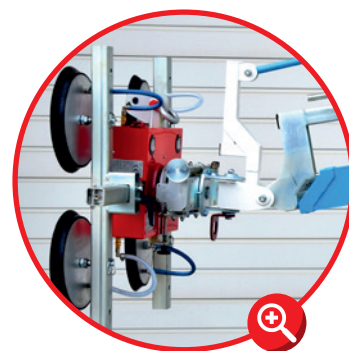
- ▶ Extremely fast installation
- ▶ Easily transportable

- Easily transportable (assembled or disassembled)
- Air tires for any terrain
- Front axle adjustable in width
- Telescope arm with 930 mm of travel
- 360° suction cup support rotation
- Lateral cargo transport
- Screw drive for inclination
- 4 Manual pump suction cups (capacity 140 kg / each)
- 12 removable counterweights
- Anchoring system for lifting to the floor
- Horizontal translator of the suction cup support of 210 mm
- Hook for use as a small construction crane

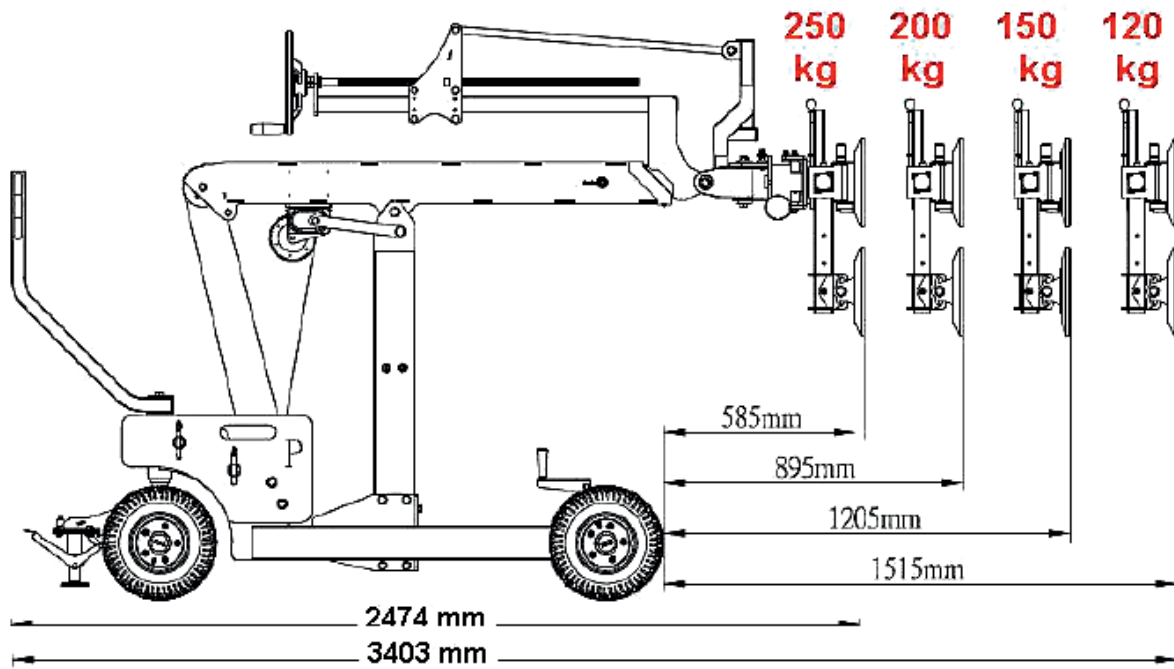


OPTIONAL

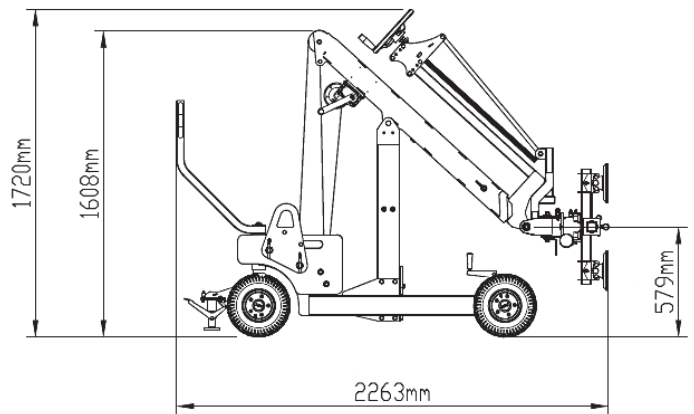
- GV 350 R, electric suction cup battery operated with radio control



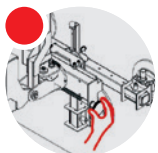
Manual manipulator for glass GRM-250



Model	GRM-250
Payload	250 kg
Weight in order of use	461 kg
Counterweight number weight	12 x 19 kg



Hook



Horizontal translator

