

Maximum capacity 170 kg, up to 4,1 meters in height

- TWO INDEPENDENT SAFETY DEVICES**
- ▶ Braked winch
 - ▶ Automatic anti-fall device
 - ▶ Shear bolt on each shaft

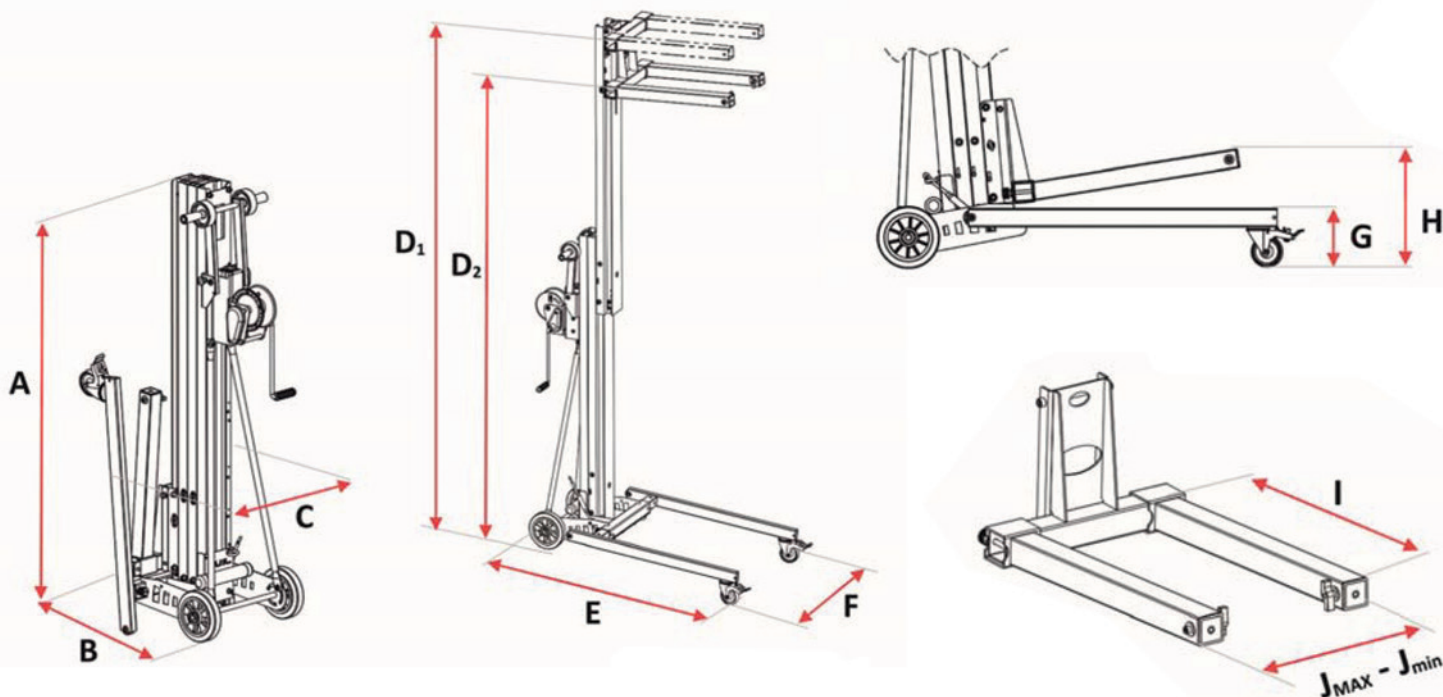
STRUCTURE

- On site in seconds
- Compact and very robust construction
- Variable width forks
- Two Ø200 mm wheels for easy transport on site
- Base with 2 stabilizing arms
- Feet with adjustable wheels
- Anti-corrosion steel lifting cable
- Level control for perfect positioning
- Winch with automatic brake
- Steel sliding pulleys
- German TÜV-GS-BGVD8 certification
- For facade work

LIFTER		A 101/C	A 102/C
Payload	kg	170	150
Height	mt	1,75	1,75
Fork loading height	mt	2,90	4,10



Technical features



		A	B	C	D1	D2	E	F-MAX	F-MIN	G	H	I	J-MAX	J-MIN
Lifter	Payload	cm.	cm.	cm.	cm.	cm.	cm.	cm.	cm.	cm.	cm.	cm.	cm.	cm.
A-101/C	170 kg	175	75	62	290	265	140	79	62	19	33	66	43	30,5
A-102/C	150 kg	175	75	62	410	380	140	79	62	19	33	66	43	30,5



Toro A manual fork lift



ACCESSORIES



ACT-01
Support for cylindrical loads



ACT-04
Loading platform



ACT-06
Support for rollers shutters or shutters

