

Toro B manual fork lift

Maximum capacity 250 kg, up to 6,60 meters in height

 **TWO INDEPENDENT SAFETY DEVICES**

- ▶ Braked winch
- ▶ Automatic anti-fall device

STRUCTURE

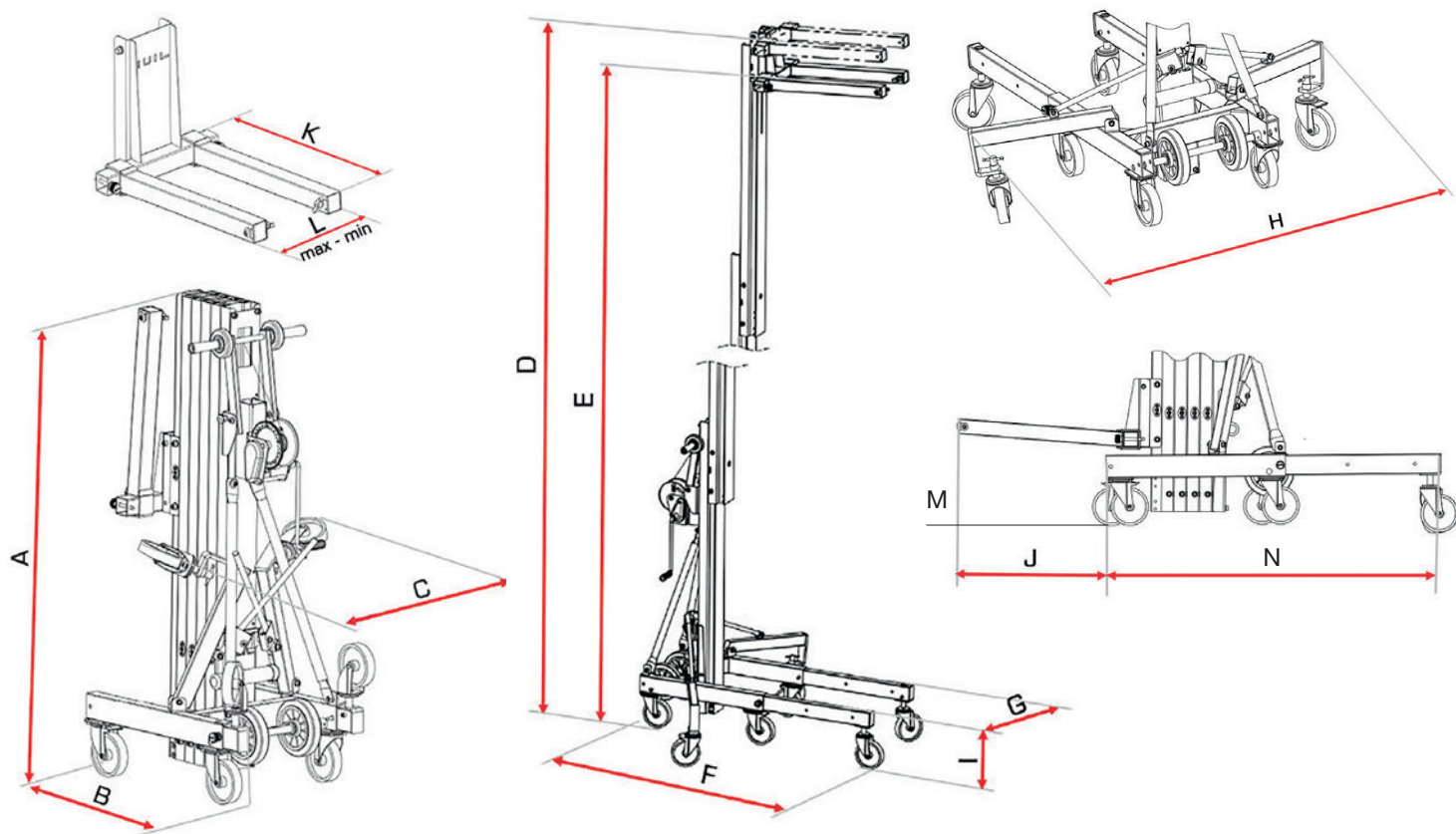
- On site in seconds
- Compact and very robust construction
- Variable width forks
- Two Ø200 mm wheels for easy transport on site
- Base with 2 stabilizing arms
- Feet with adjustable wheels
- Anti-corrosion steel lifting cable
- Level control for perfect positioning
- Winch with automatic brake
- Steel sliding pulleys
- German TÜV-GS-BGVD8 certification
- For facade work
- Motorizable



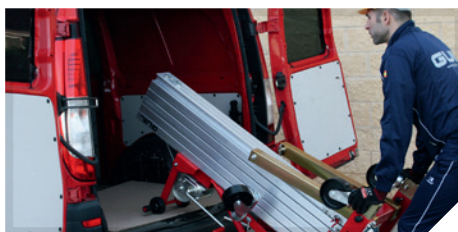
LIFTER		TORO-B 201/C	TORO-B 201 Plus	TORO-B 202/C	TORO-B 202 Plus	TORO-B 203/C
Load capacity	kg	250	250	230	230	220
Height	mt.	1,68	1,97	1,68	1,97	1,68
Fork loading height	mt.	4,00	5,10	5,15	6,60	6,30
Weight	kg	104	104	112	112	120



Technical features



		A	B	C	D	E	F	G	H	I	J	K	L	M	N
Model	Range	cm.	cm.	cm.	cm.	cm.	cm.	cm.	cm.	cm.	cm.	cm.	cm.	cm.	cm.
B-201/C	250 kg	168	81	65	400	380	172	60	138	28	57	66	43,5 max 29 min	30	169
B-201 Plus	250 kg	197	81	65	510	490	172	60	138	28	52	66	43,5 max 29 min	35	169
B-202/C	230 kg	168	81	65	515	495	172	60	138	28	57	66	43,5 max 29 min	30	169
B-202 Plus	230 kg	197	81	65	660	640	172	60	138	28	52	66	43,5 max 29 min	35	169
B-203/C	220 kg	168	81	65	630	610	172	60	138	28	57	66	43,5 max 29 min	30	169





ACCESSORIES



ACT-01
Support for cylindrical loads



ACT-02
Fork extension



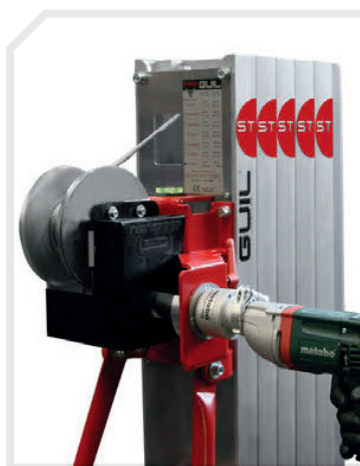
ACT-03
Lift arm



CW-01/20
Counterweight



CB-01
Counterweight Bath



Electric kit



ACT-05
Hook



ACT-06
Support for roller shutters or shutters



ACT-08
Support with hook



ACT-09
Expander with forks