

## Maximum capacity 350 kg, up to 8 meters in height



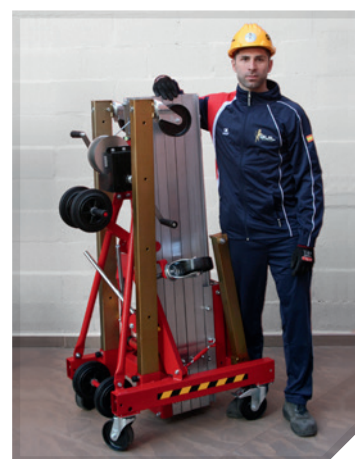
### TWO INDEPENDENT SAFETY DEVICES

- ▶ Braked winch
- ▶ Automatic anti-fall device

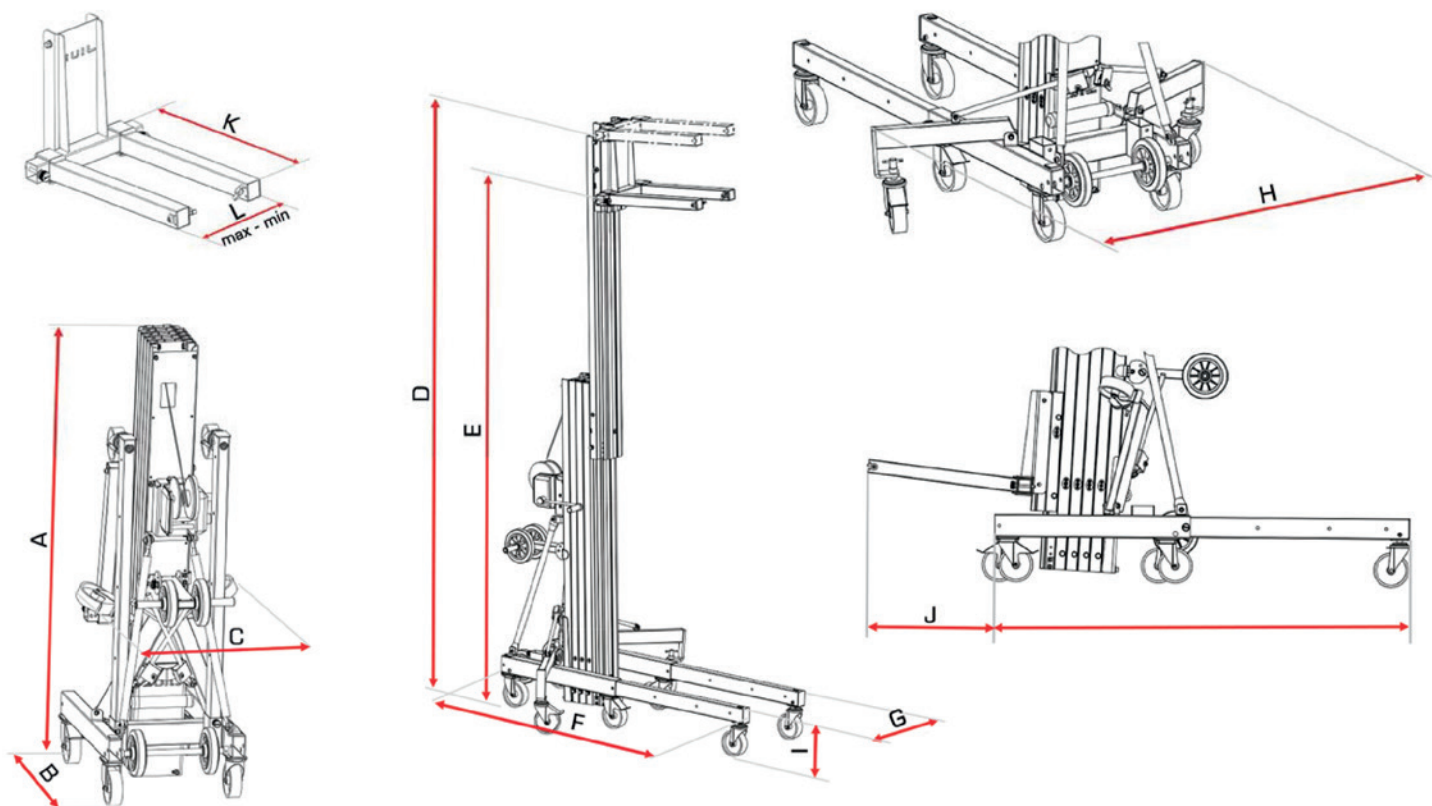
### STRUCTURE

- On site in seconds
- Compact and very robust construction
- Variable width forks
- Two Ø200 mm wheels for easy transport on site
- Base with 2 stabilizing arms
- Feet with adjustable wheels
- Anti-corrosion steel lifting cable
- Level control for perfect positioning
- Winch with automatic brake
- Steel sliding pulleys
- German TÜV-GS-BGVD8 certification
- For facade work
- Motorizable

SOLLEVATORE		TORO-C 301/C	TORO-C 302/C	TORO-C 303	TORO-C 304/C	TORO-C 305	TORO-C 306
Load capacity	kg	350	330	350	320	320	300
Height	mt.	1,61	1,61	1,99	1,61	1,99	1,99
Fork loading height	mt.	3,85	5,00	5,00	6,00	6,50	8,00
Weight	kg	141	156	154	175	175	192



## Tecnical features



		A	B	C	D	E	F	G	H	I	J	K	L	M	N
<b>Model</b>	Range	cm.	cm.	cm.	cm.	cm.	cm.	cm.	cm.	cm.	cm.	cm.	cm.	cm.	cm.
<b>C-301/C</b>	350 kg	161	95	66	385	343	192	66	147	28	57	66	47,5 max 33,5 min	33	183
<b>C-302/C</b>	330 kg	161	95	66	500	458	192	66	147	28	57	66	47,5 max 33,5 min	33	183
<b>C-303</b>	350 kg	199	95	66	500	458	192	66	147	28	57	66	47,5 max 33,5 min	33	183
<b>C-304/C</b>	320 kg	161	95	66	600	558	192	66	147	28	57	66	47,5 max 33,5 min	33	183
<b>C-305</b>	320 kg	199	95	66	650	608	192	66	147	28	57	66	47,5 max 33,5 min	33	183
<b>C-306</b>	300 kg	199	95	66	800	758	192	66	147	28	57	66	47,5 max 33,5 min	33	183



## ACCESSORIES



**ACT-01**  
Support for cylindrical loads



**ACT-02**  
Fork extensions



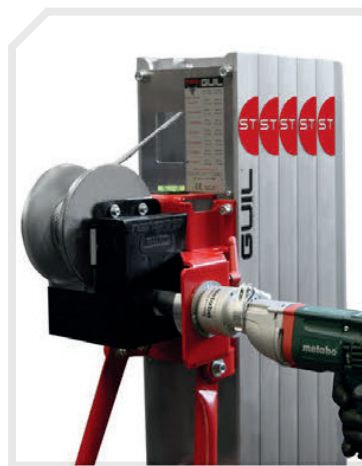
**ACT-04**  
Loading platform



**CW-01/20**  
Counterweight



**CB-01**  
Basin  
Counterweight



**Kit electric**



**ACT-05**  
Hook



**ACT-06**  
Support for  
roller shutters or shutters



**ACT-08**  
Support  
with hook



**ACT-09**  
Expander  
with forks