

## The top of the range mini crane

The most performing mini crane currently on the market.

Technology, innovation and reliability enclosed in the best-seller mini crane ever.

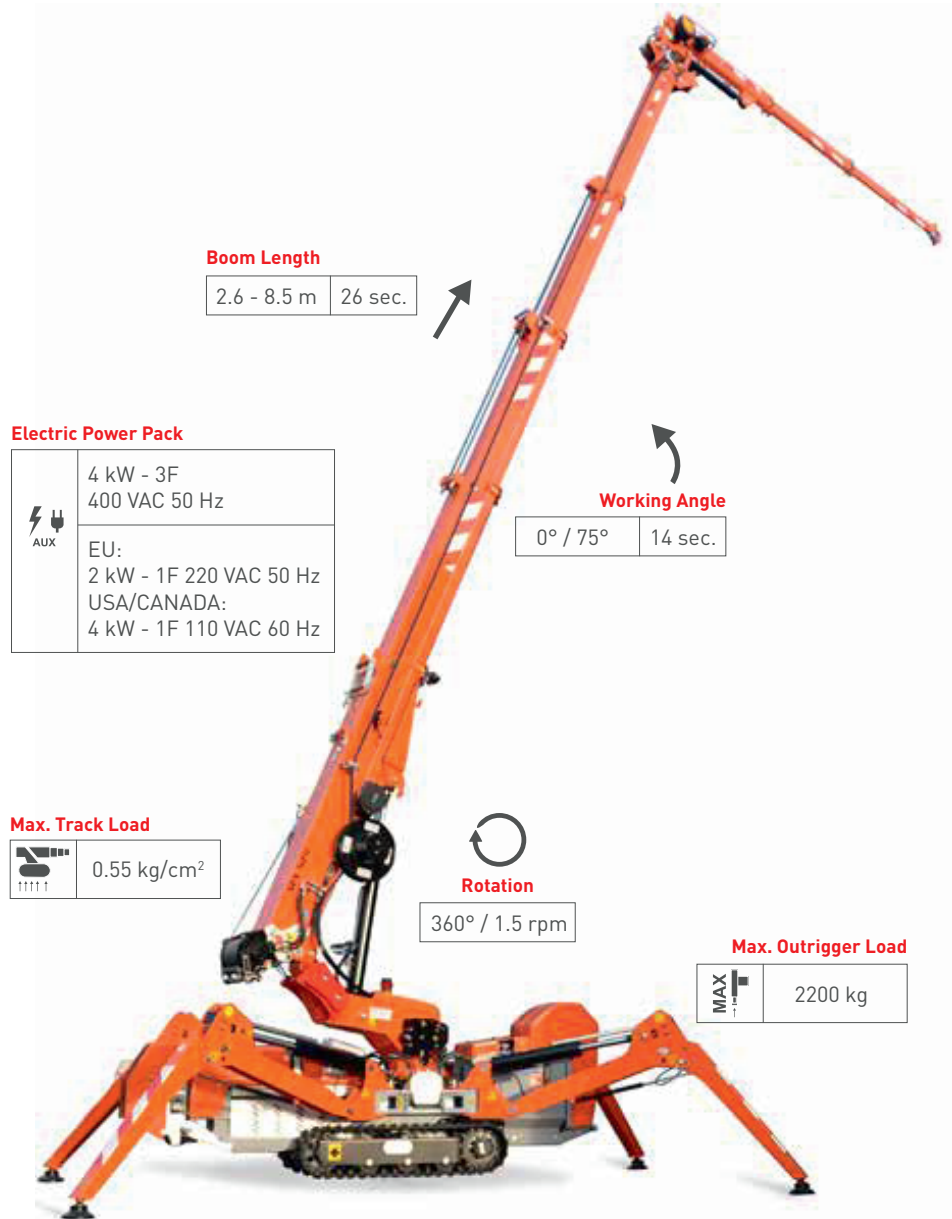
## TECHNICAL INFORMATION

Dimension	L x W x H	3150 x 780 x 1950 mm
Slab Area		4150 x 4150 mm

		Kg
Crane & Options Weights		SPX424CDH 2030 SPX424C+ 2130
		/ 200
		2.5T-D7 20
		PP400-4DX 45 PP220-4DX PP220-2DX
		JIB800GX 20 JIB800.1MX 80 JIB800.2H1MX 180
		MV600.3E+ 180 MR800.4-6+4P 250

SPX424CDH	Petrol Engine	KUBOTA D722-E3B	14.9 kW 20 Hp
SPX424C+	Standard or Lithium Battery	N.4 BATTERIES 6V, 420Ah	4.0 kW 5.5 Hp

Speed		1.8 km/h (CDH) 0.72 km/h (C+)
Gradability		20°
Ext. Tracks		770-1065 mm



### Boom Length

2.6 - 8.5 m 26 sec.

### Electric Power Pack

	4 kW - 3F 400 VAC 50 Hz
	EU: 2 kW - 1F 220 VAC 50 Hz
	USA/CANADA: 4 kW - 1F 110 VAC 60 Hz

### Working Angle

0° / 75° 14 sec.

### Max. Track Load

0.55 kg/cm²

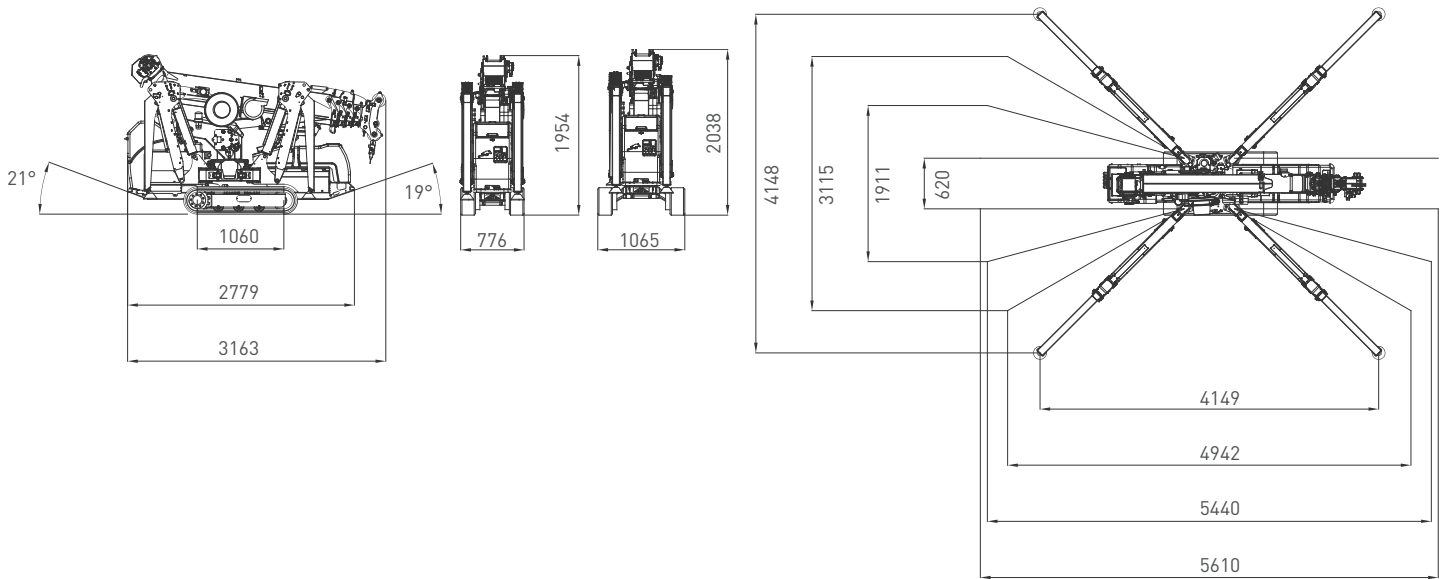
### Rotation

360° / 1.5 rpm

### Max. Outrigger Load

2200 kg

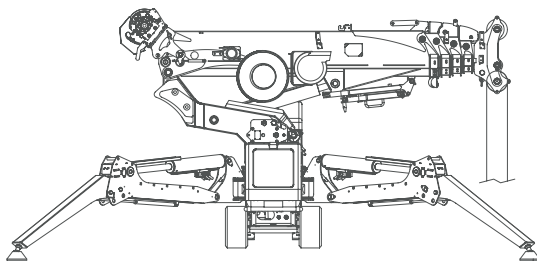
## DIMENSIONS



## WINCH&FALL STAGES

## LOAD CHART

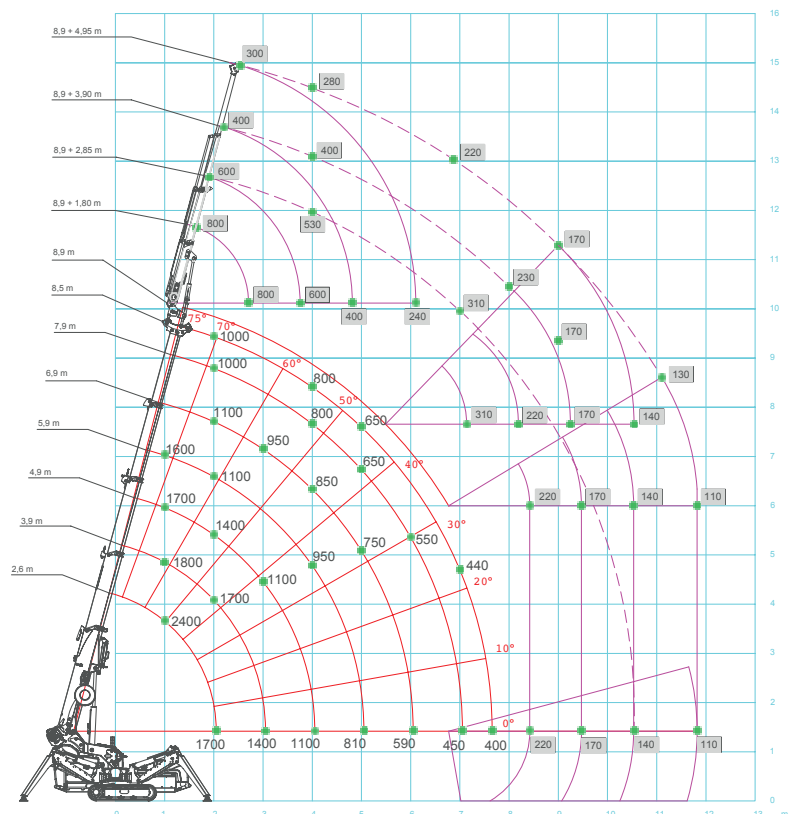
	<b>Main Winch</b> 800 kg (Single line) 70 m - Ø 7 mm 26-31,8 m/min.
--	--



Max. Capacity	Line	Metres
2400 kg	3	-20 m
1600 kg	2	-32 m
800 kg	1	-65 m



000 Capacity with jib



# Mini crane SPX 424

## CRANE OPTIONS

